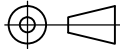
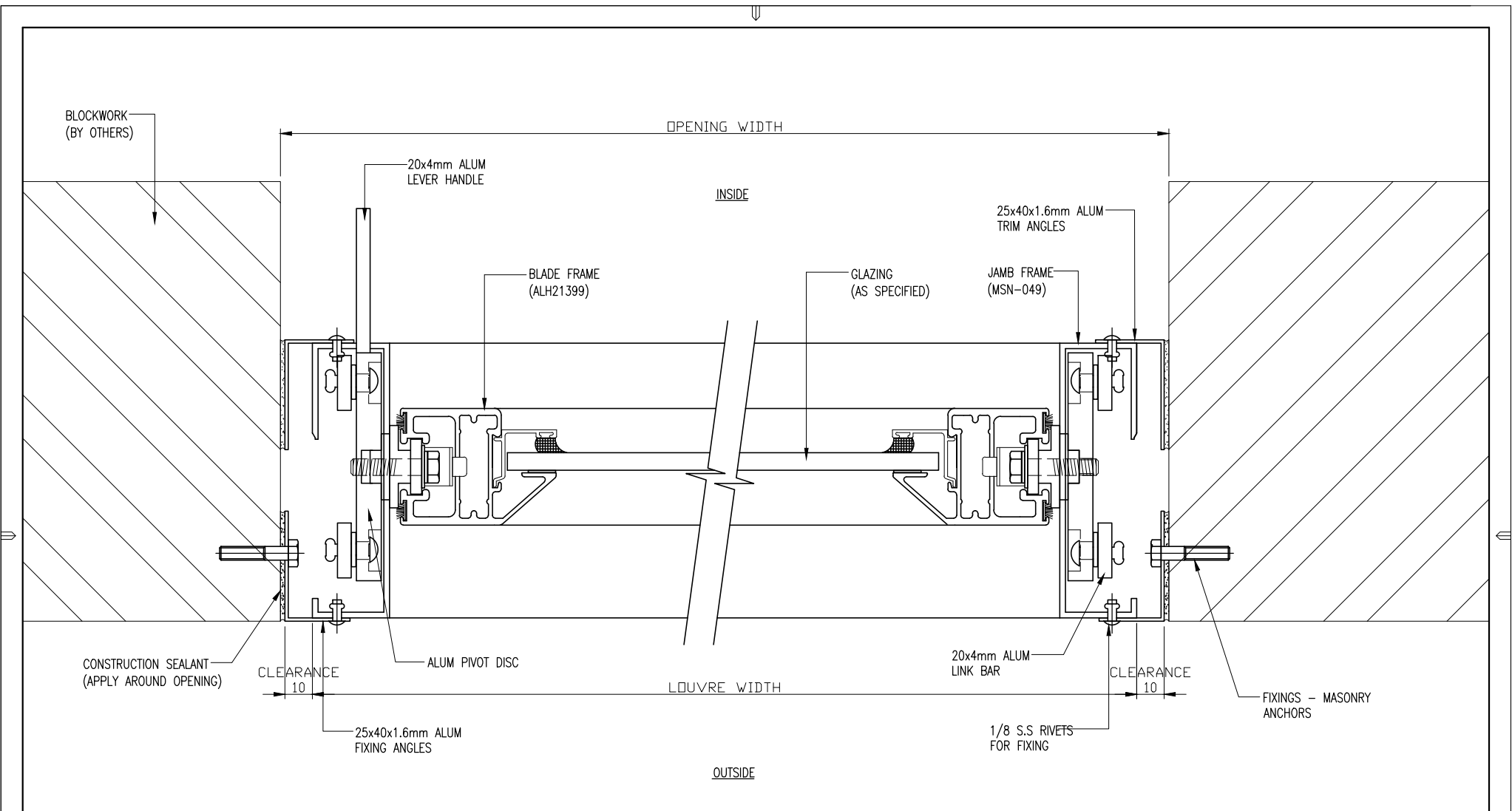
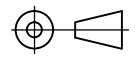


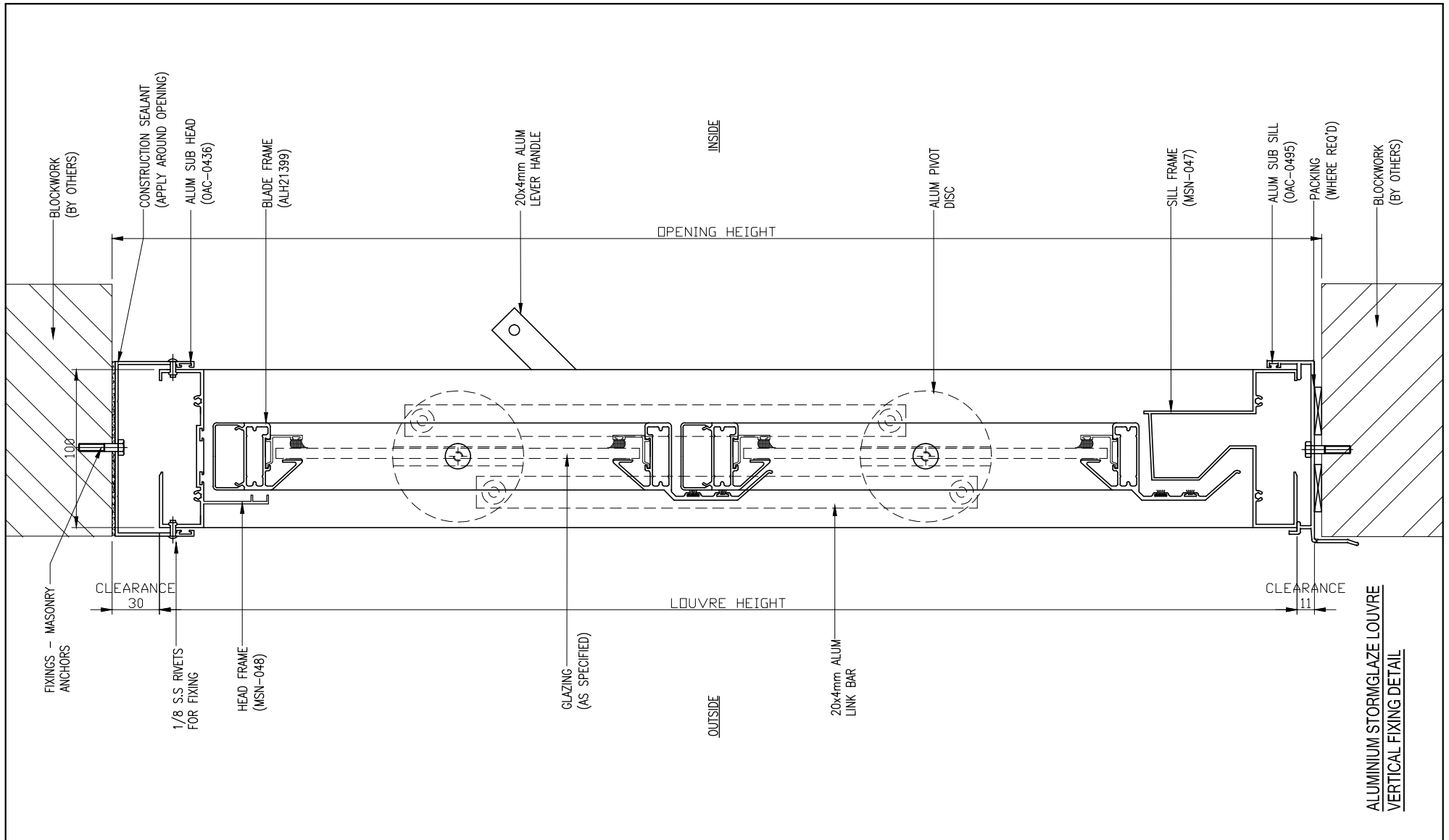
ALUMINIUM STORMGLAZE LOUVRE
FRONT ELEVATION

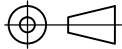
			Austral Monsoon Building Products Pty Ltd PTY LTD ACN 083 857 452 ACN 083 857 452 181-185 COBALT STREET, CAROLE PARK, QLD 4300 PO BOX 230, CAROLE PARK, QLD 4300	IF IN DOUBT - ASK 3rd ANGLE PROJECTION 	Project TYPICAL DETAILS	Material: ALUMINIUM	Drawn: S.C. 18.05.11	Job No.	
					These drawings are the property of Austral Monsoon Building Products and are not to be reproduced in whole or part without permission of Austral Monsoon Building Products Pty Ltd. A.C.N. 083 857 452 © Copyright 1999	Client	Finish: CLEAR ANODISED OR POWDERCOAT	Checked:	Approved:
Rev	Description	Date			Description ALUMINIUM STORMGLAZE OPERABLE LOUVRE FRONT ELEVATION		Scale: NTS		

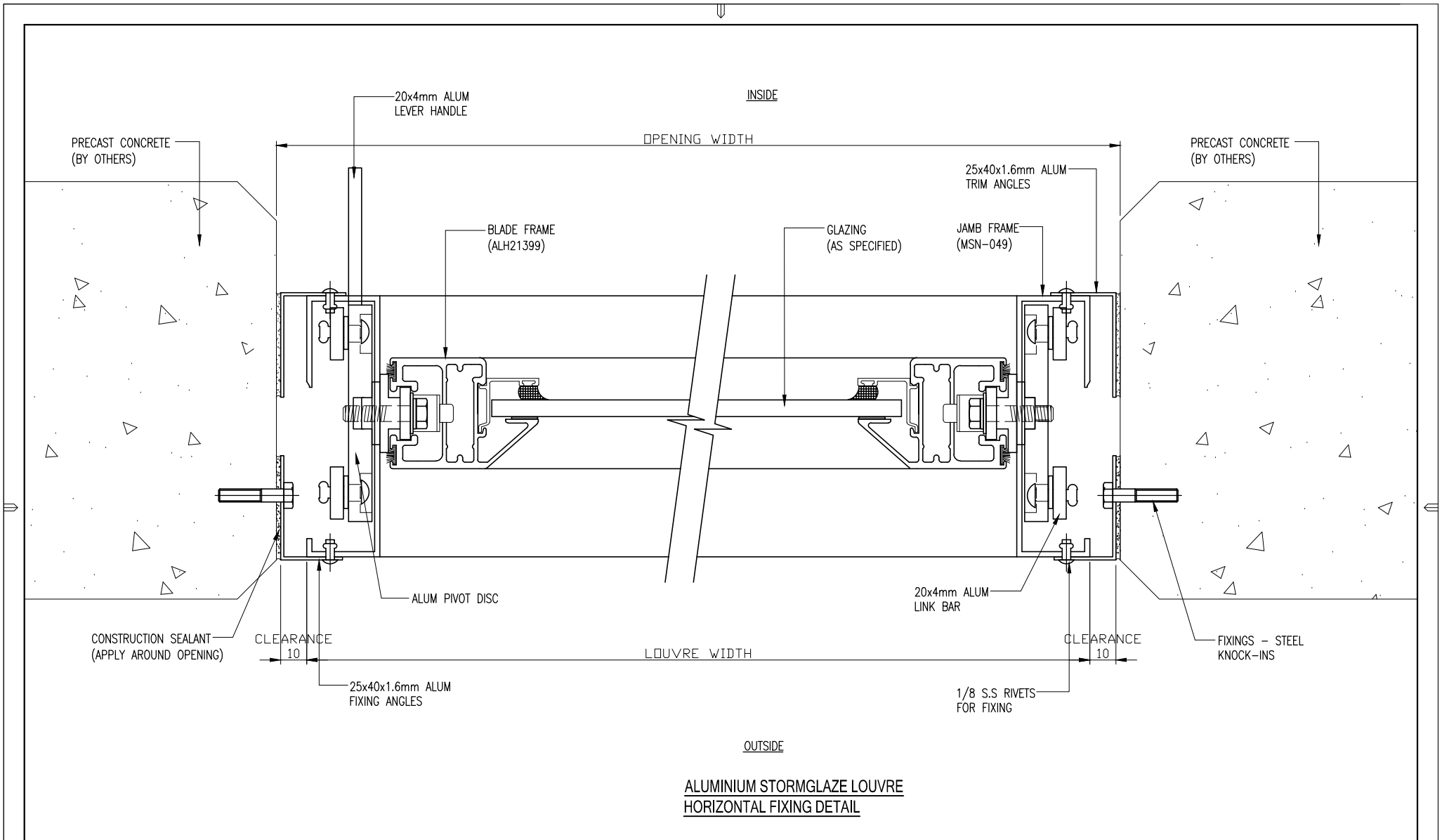


**ALUMINIUM STORMGLAZE LOUVRE
HORIZONTAL FIXING DETAIL**

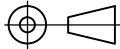
Rev	Description	Date	<p>Austral Monsoon Building Products Pty Ltd PTY LTD ACN 083 857 452 ACN 083 857 452 181-185 COBALT STREET, CAROLE PARK, QLD 4300 PO BOX 230, CAROLE PARK, QLD 4300</p> <p>These drawings are the property of Austral Monsoon Building Products and are not to be reproduced in whole or part without permission of Austral Monsoon Building Products Pty Ltd. A.C.N. 083 857 452 © Copyright 1999</p>	<p>IF IN DOUBT - ASK 3rd ANGLE PROJECTION</p> 	Project	Material:	Drawn:	Job No.	
					TYPICAL DETAILS	ALUMINIUM	S.C. 18.05.11		
					Client	Finish:	Checked:		
					Description	CLEAR ANODISED OR POWDERCOAT	Approved:	Dwg Sheet No.	Rev
			02						
			NTS						

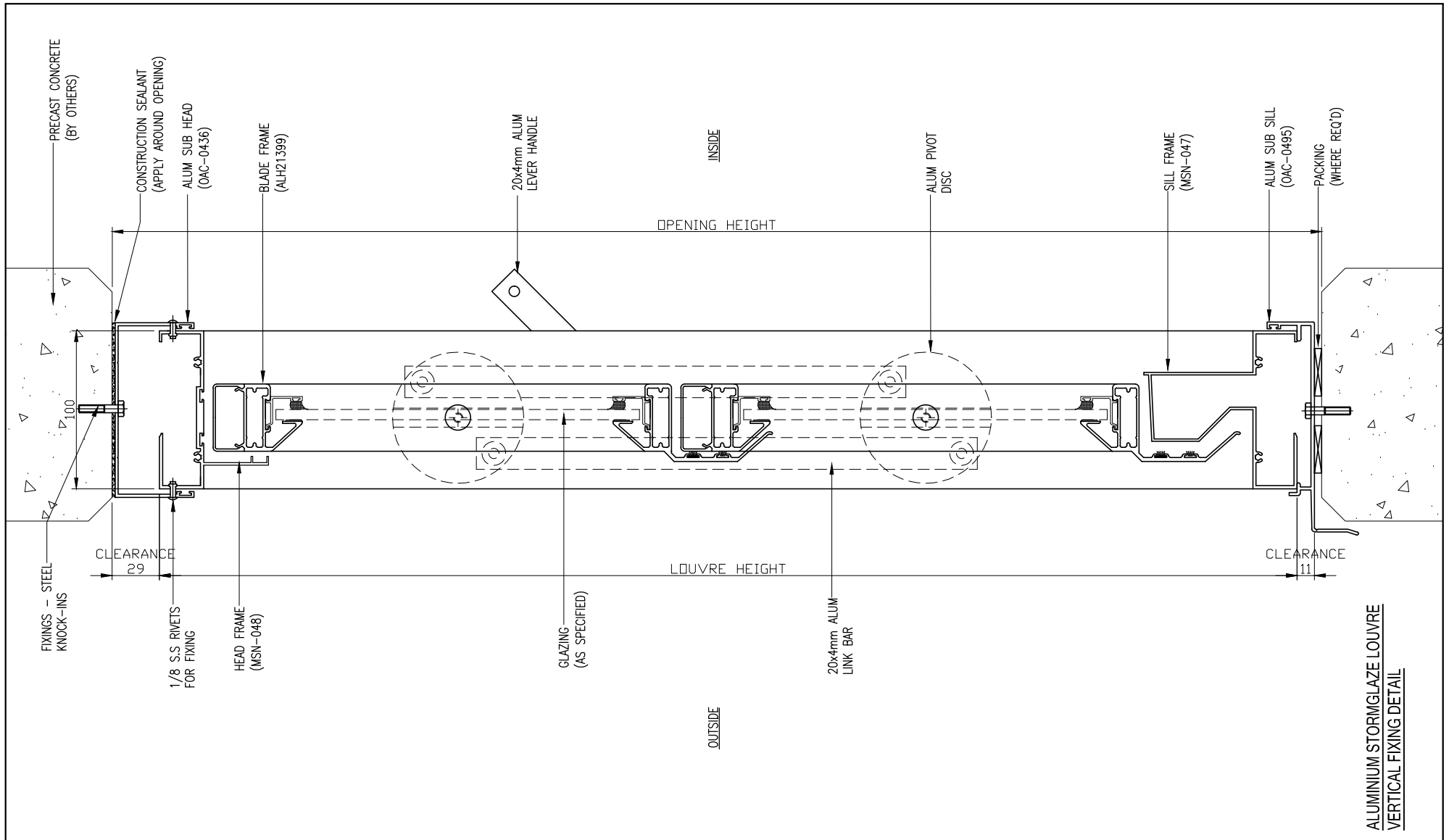


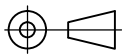
Rev	Description	Date	<p>Austral Monsoon Building Products Pty Ltd PTY LTD ACN 083 857 452 ACN 083 857 452 181-185 COBALT STREET, CAROLE PARK, QLD 4300 PO BOX 230, CAROLE PARK, QLD 4300</p> <p>These drawings are the property of Austral Monsoon Building Products and are not to be reproduced in whole or part without permission of Austral Monsoon Building Products Pty Ltd. A.C.N. 083 857 452 © Copyright 1999</p>	<p>IF IN DOUBT - ASK 3rd ANGLE PROJECTION</p> 	Project	Material:	Drawn:	Job No.	
					TYPICAL DETAILS	ALUMINIUM	S.C. 18.05.11		
					Client	Finish:	Checked:		
					Description	CLEAR ANODISED OR POWDERCOAT	Approved:	Dwg Sheet No.	Rev
			03						
			Scale:						
			NTS						

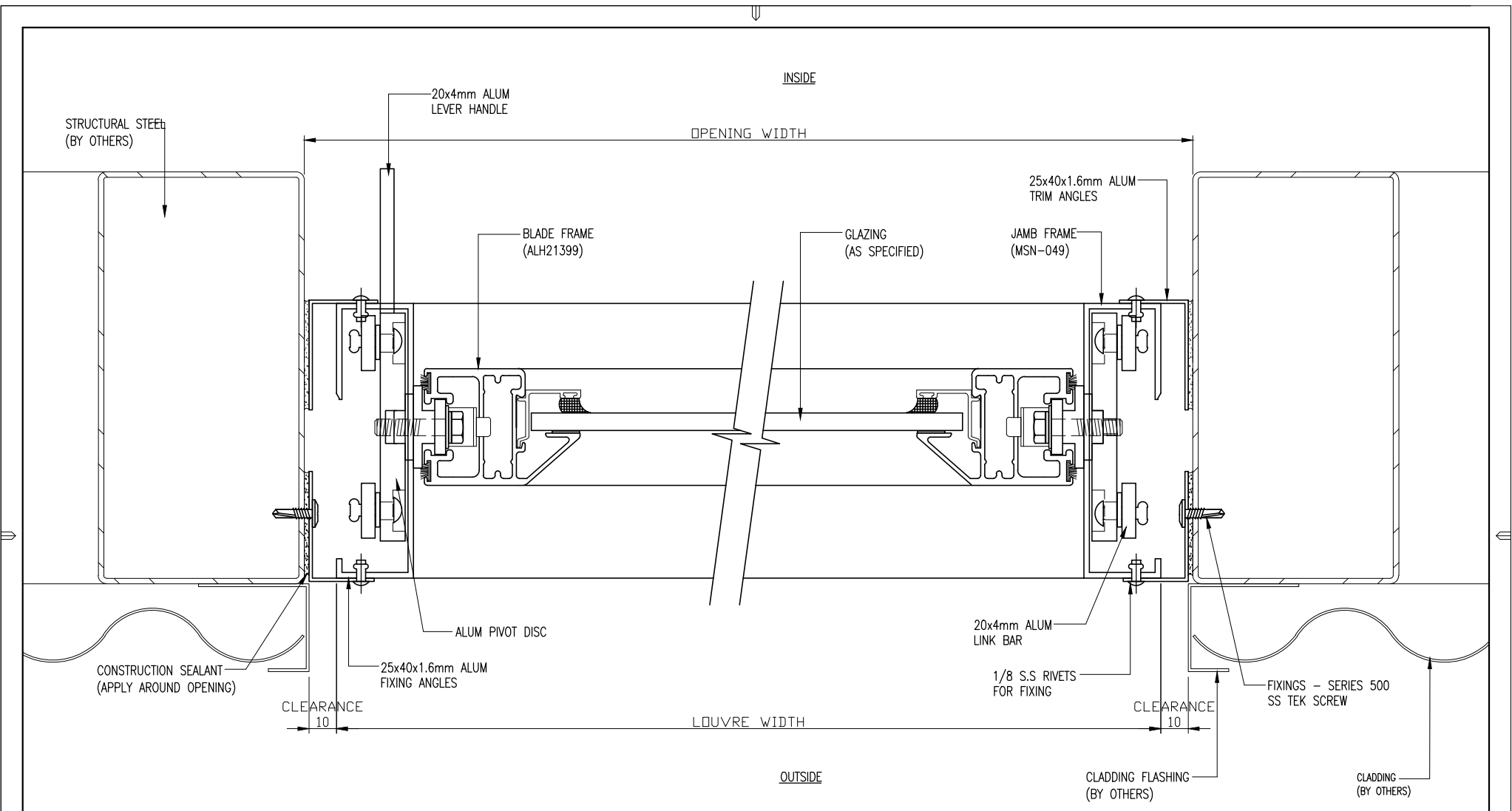


ALUMINIUM STORMGLAZE LOUVRE
HORIZONTAL FIXING DETAIL

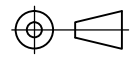
			Austral Monsoon Building Products Pty Ltd PTY LTD ACN 083 857 452 ACN 083 857 452 181-185 COBALT STREET, CAROLE PARK, QLD 4300 PO BOX 230, CAROLE PARK, QLD 4300	IF IN DOUBT - ASK 3rd ANGLE PROJECTION 	Project TYPICAL DETAILS	Material: ALUMINIUM	Drawn: S.C. 18.05.11	Job No.	
					Description ALUMINIUM STORMGLAZE OPERABLE LOUVRE HORIZONTAL FIXING DETAIL	Client	Finish: CLEAR ANODISED OR POWDERCOAT	Checked:	Dwg Sheet No.
Rev	Description	Date	These drawings are the property of Austral Monsoon Building Products and are not to be reproduced in whole or part without permission of Austral Monsoon Building Products Pty Ltd. A.C.N. 083 857 452 © Copyright 1999				Approved:	04	
							Scale: NTS		

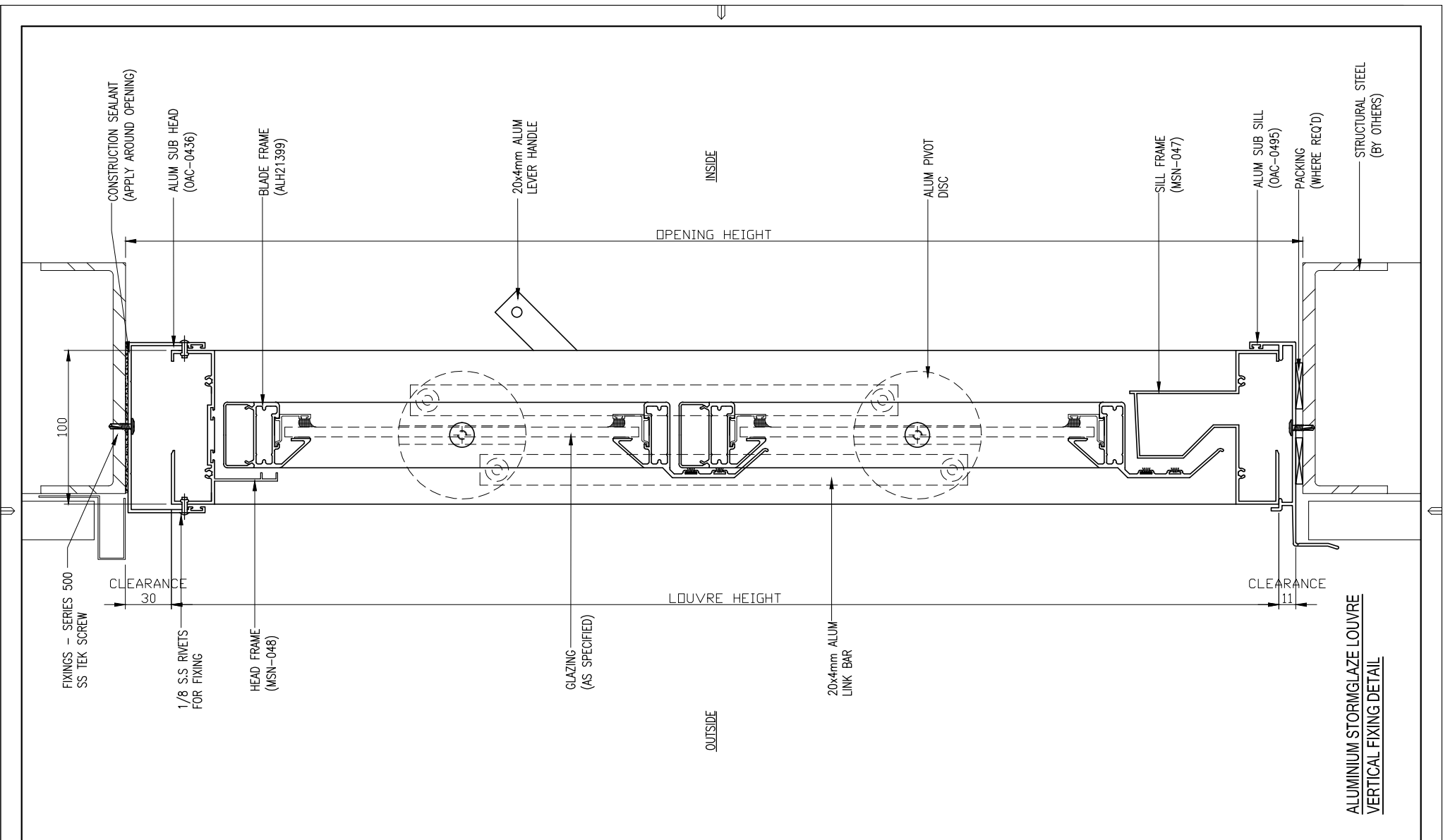


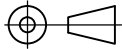
			<p>Austral Monsoon Building Products Pty Ltd</p> <p>PTY LTD ACN 083 857 452 ACN 083 857 452 181-185 COBALT STREET, CAROLE PARK, QLD 4300 PO BOX 230, CAROLE PARK, QLD 4300</p> <p>These drawings are the property of Austral Monsoon Building Products and are not to be reproduced in whole or part without permission of Austral Monsoon Building Products Pty Ltd. A.C.N. 083 857 452 © Copyright 1999</p>	<p>IF IN DOUBT - ASK 3rd ANGLE PROJECTION</p> 	<p>Project TYPICAL DETAILS</p>	<p>Material: ALUMINIUM</p>	<p>Drawn: S.C. 18.05.11</p>	<p>Job No.</p>	
					<p>Client</p>	<p>Finish: CLEAR ANODISED OR POWDERCOAT</p>	<p>Checked:</p>	<p>Approved:</p>	<p>Dwg Sheet No.</p> <p style="font-size: 24pt; text-align: center;">05</p>
Rev	Description	Date			<p>Description ALUMINIUM STORMGLAZE OPERABLE LOUVRE VERTICAL FIXING DETAIL</p>		<p>Scale: NTS</p>		



ALUMINIUM STORMGLAZE LOUVRE
HORIZONTAL FIXING DETAIL

Rev	Description	Date	Austral Monsoon Building Products Pty Ltd PTY LTD ACN 083 857 452 ACN 083 857 452 181-185 COBALT STREET, CAROLE PARK, QLD 4300 PO BOX 230, CAROLE PARK, QLD 4300 These drawings are the property of Austral Monsoon Building Products and are not to be reproduced in whole or part without permission of Austral Monsoon Building Products Pty Ltd. A.C.N. 083 857 452 © Copyright 1999	IF IN DOUBT - ASK 3rd ANGLE PROJECTION 	Project	Material:	Drawn:	Job No.	
					TYPICAL DETAILS	ALUMINIUM	S.C. 18.05.11		
					Client	Finish:	Checked:		
					Description	CLEAR ANODISED OR POWDERCOAT	Approved:	Dwg Sheet No.	Rev
			Pty Ltd. A.C.N. 083 857 452		ALUMINIUM STORMGLAZE OPERABLE LOUVRE HORIZONTAL FIXING DETAIL	NTS	06		



			Austral Monsoon Building Products Pty Ltd PTY LTD ACN 083 857 452 ACN 083 857 452 181-185 COBALT STREET, CAROLE PARK, QLD 4300 PO BOX 230, CAROLE PARK, QLD 4300	IF IN DOUBT - ASK 3rd ANGLE PROJECTION 	Project TYPICAL DETAILS	Material: ALUMINIUM	Drawn: S.C. 18.05.11	Job No.	
					Description ALUMINIUM STORMGLAZE OPERABLE LOUVRE VERTICAL FIXING DETAIL	Client	Finish: CLEAR ANODISED OR POWDERCOAT	Checked:	Approved:
Rev	Description	Date	These drawings are the property of Austral Monsoon Building Products and are not to be reproduced in whole or part without permission of Austral Monsoon Building Products Pty Ltd. A.C.N. 083 857 452 © Copyright 1999				Scale: NTS		